

RONIS petrol locking caps

For AdBlue[®] and DEF (Diesel Exhaust Fluid) application



What is Diesel Exhaust Fluid / AdBlue ?

They are both a water and urea solution that is added to the exhaust gases in the SCR (Selective Catalytic Reduction) after treatment system to transform them into harmless water and nitrogen.

32,5% UREA solution in water

Non-Toxic

Non-flammable

Odourless

Diesel Exhaust Fluid, better known as DEF, is used in North America, where as AdBlue is the European name for the same product.

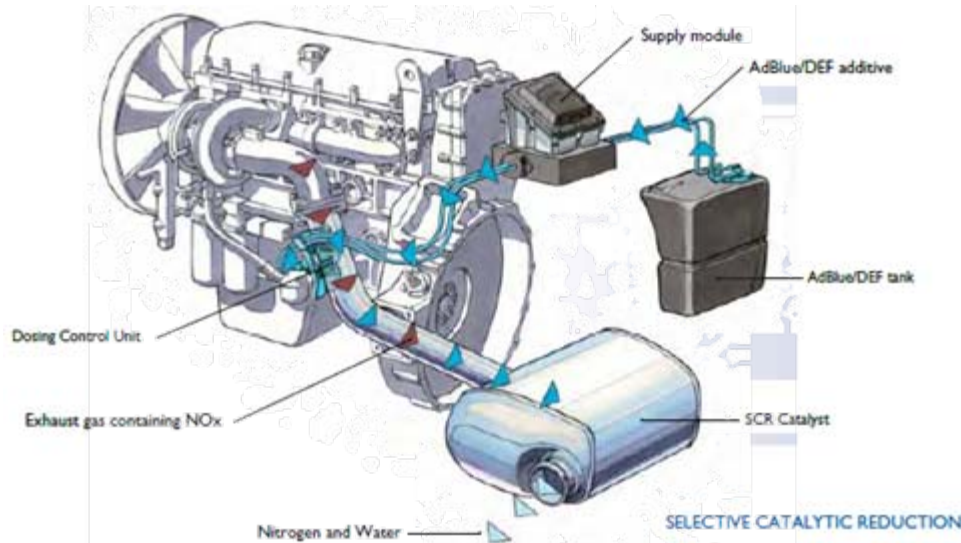
The main benefits with SCR / Ad Blue / DEF:

More power combined with lower fuel consumption

Reduced fuel consumption and thus equally reduced CO2 emissions.



AdBlue is the registered trademark for AUS32 (Aqueous Urea Solution 32.5%) and is used in a process called SCR to reduce emissions of oxides of nitrogen from the exhaust of diesel engine motor vehicles.



RONIS petrol locking caps For AdBlue and DEF (Diesel Exhaust Fluid) application

- ✓ A blue aerated petrol locking caps different of the fuel tank cap
- ✓ A key molded to avoid confusion (Kit key tank + AdBlue on the same set available on request)
- ✓ Metal barrel resistant and anticorrosive
- ✓ A metal mechanism that guarantees the highest quality locking
- ✓ Components compatible with the liquid AdBlue / DEF
- ✓ Adapted to a range of brands most popular trucks on the market
- ✓ A one-year warranty on all our caps

Renault, Volvo, Scania

6410 AdBlue - DEF



DAF, MAN, Mercedes

6411 AdBlue - DEF



Scania

6402 AdBlue - DEF





6410 AdBlue

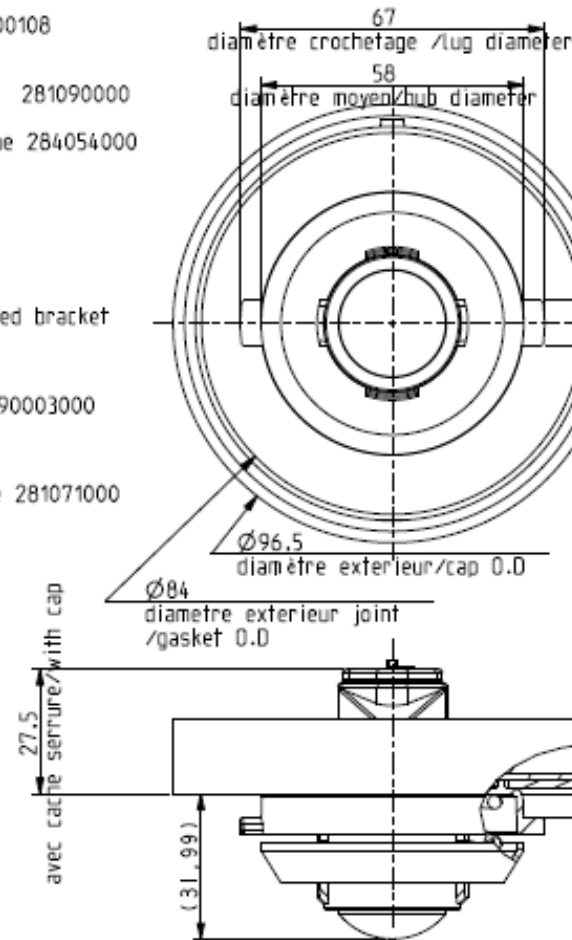
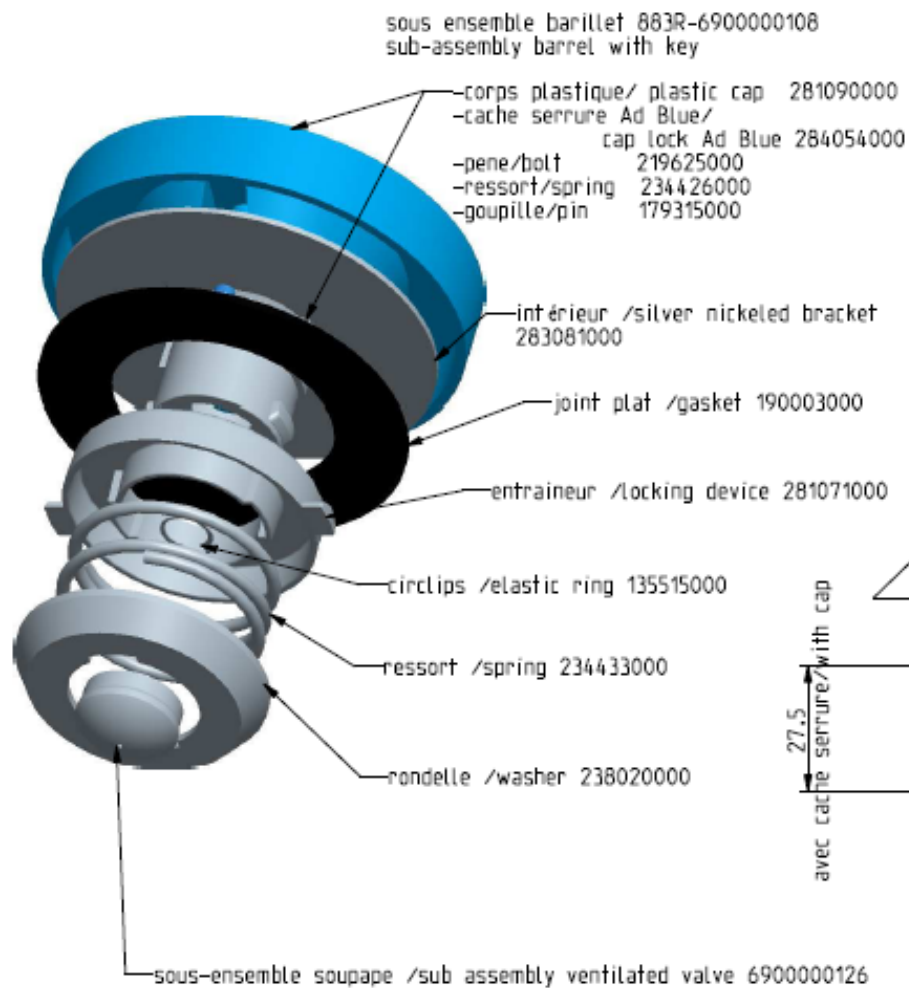
Box	4641000200
Blister	4641000500
Vrac	4641000100



6410 DEF

Box	4641000206
Blister	4641000506
Vrac	4641000106

6410 Application AdBlue®

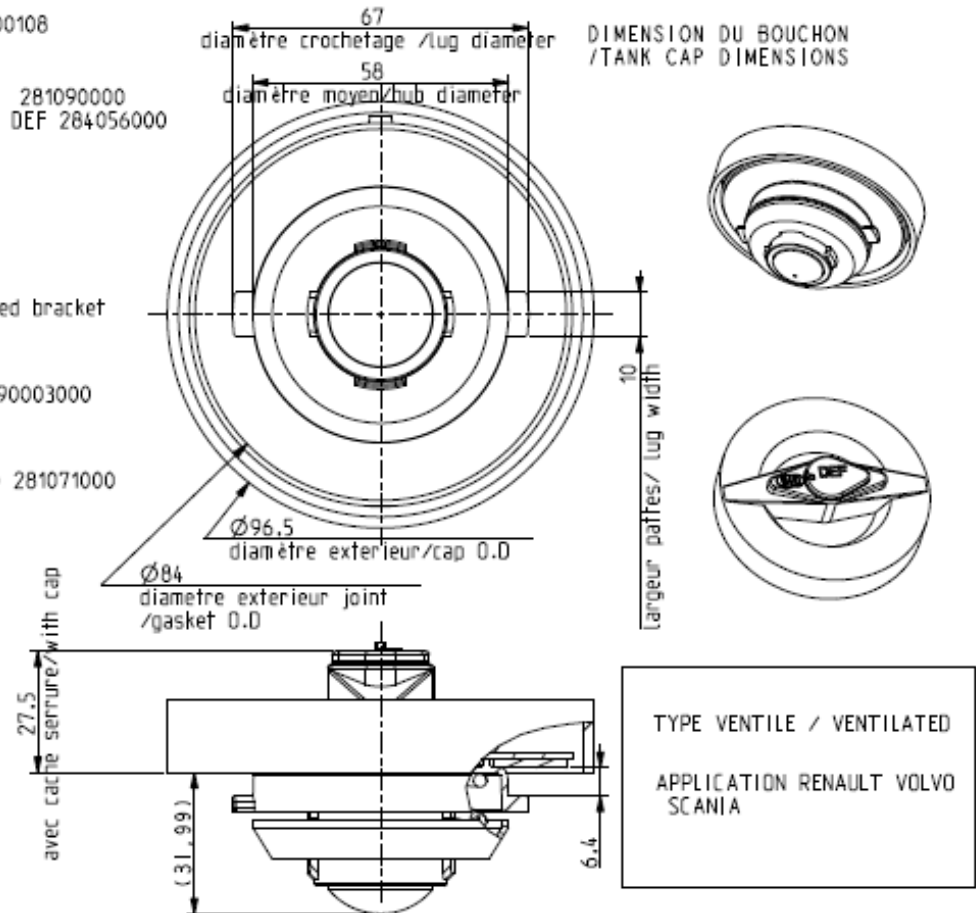
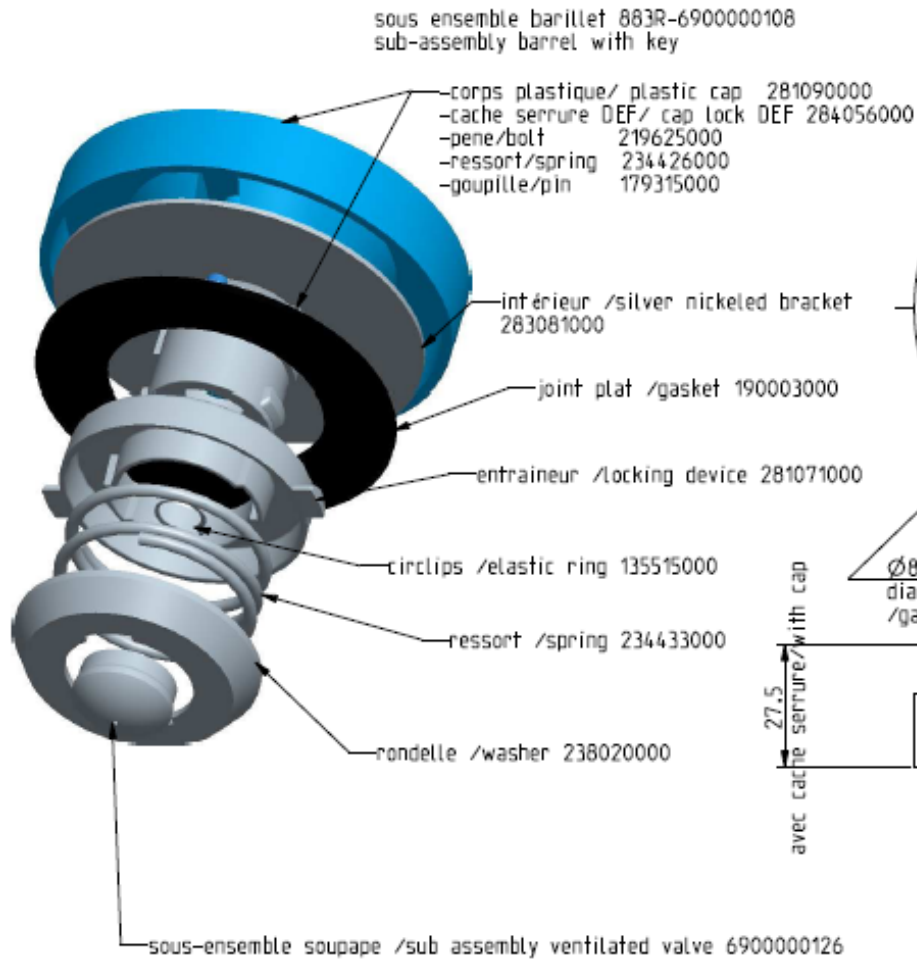


DIMENSION DU BOUCHON
/TANK CAP DIMENSIONS



TYPE VENTILE / VENTILATED
APPLICATION RENAULT VOLVO
SCANIA

6410 Application DEF





6411 AdBlue

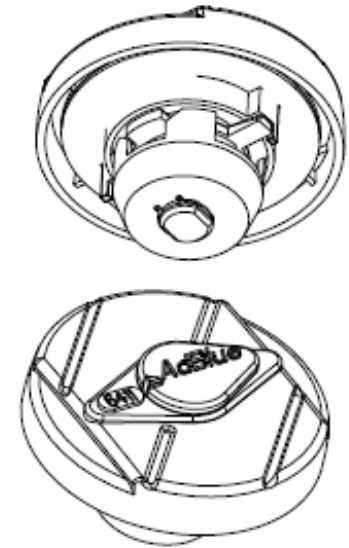
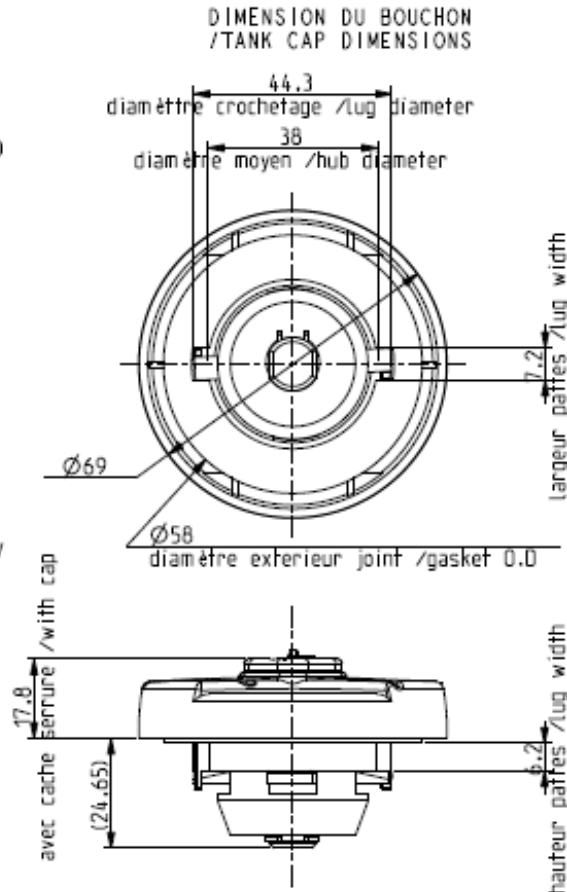
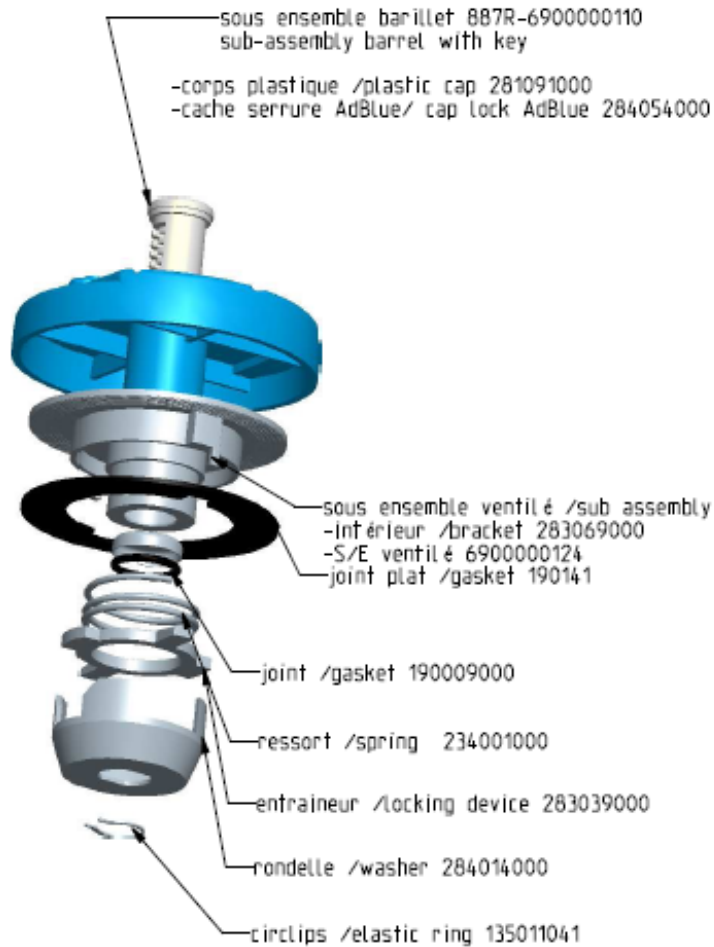
Box	4641100200
Blister	4641100500
Vrac	4641100100



6411 DEF

Box	4641100206
Blister	4641100506
Vrac	4641100106

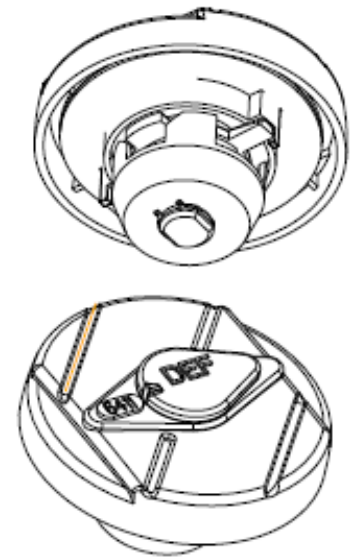
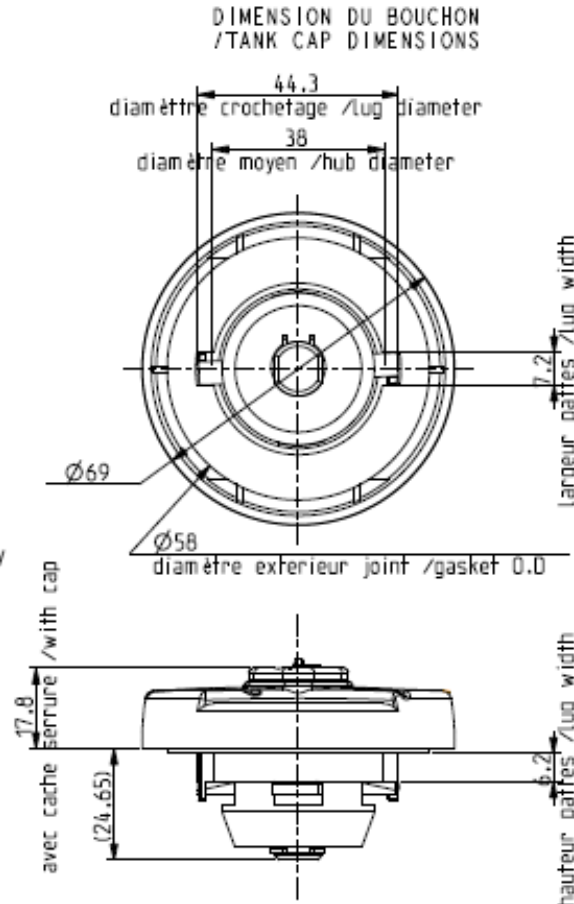
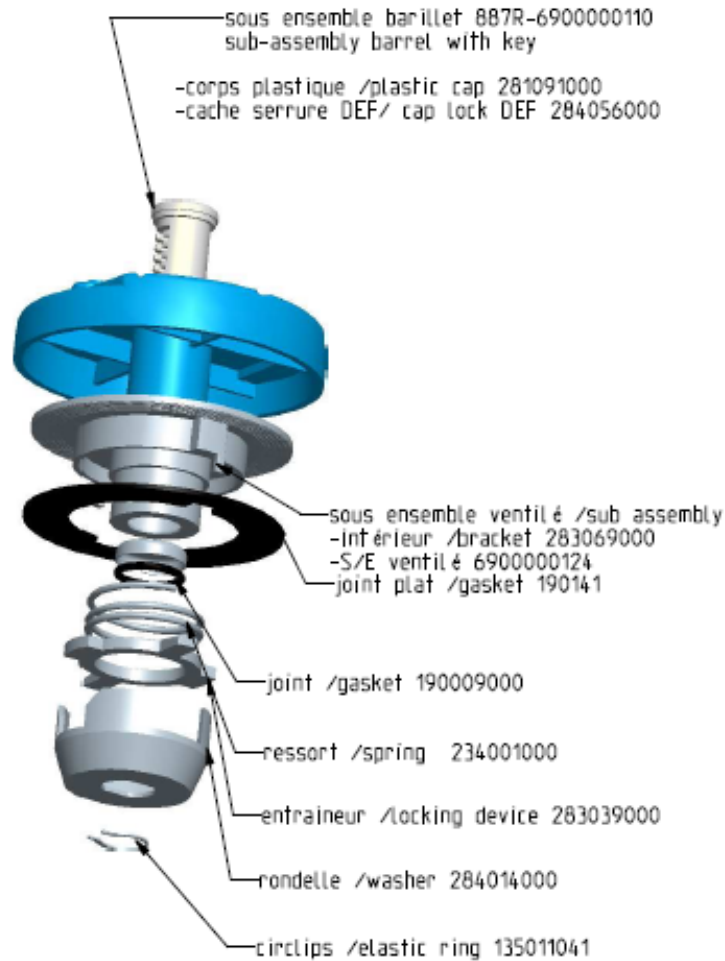
6411 Application AdBlue®



TYPE VENTILE / VENTILATED

APPLICATION DAF.MAN. MERCEDES

6411 Application DEF



TYPE VENTILE / VENTILATED
 APPLICATION DAF.MAN. MERCEDES

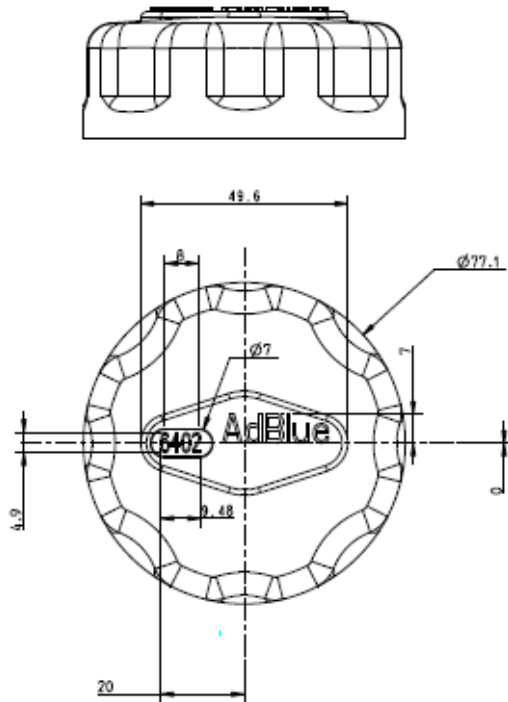


6402 AdBlue

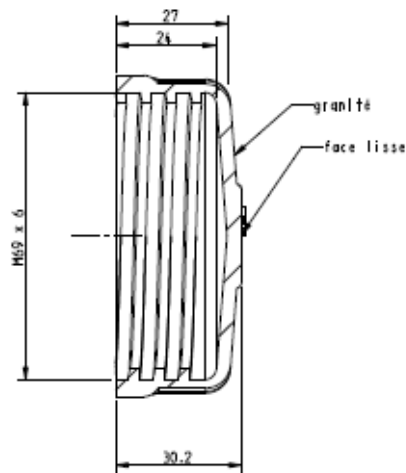
Box	4640200200
Blister	4640200500
Vrac	4640200100

6402 DEF

Box	4640200206
Blister	4640200506
Vrac	4640200106



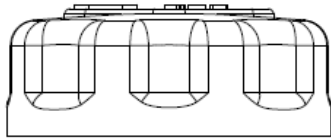
COUPE A-A



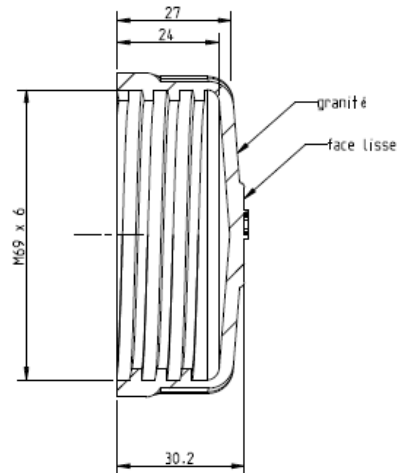
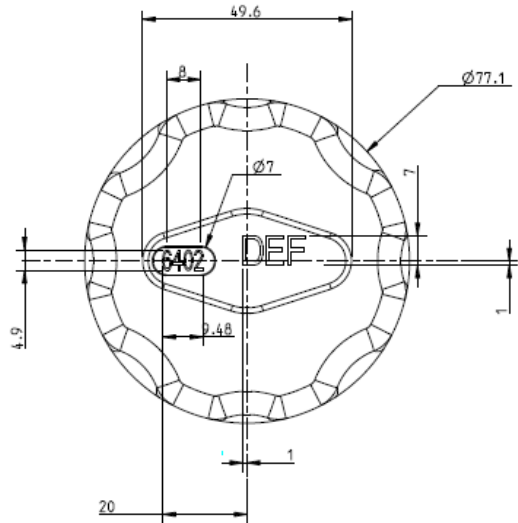
TYPE NON VENTILE / NO VENTILATED

APPLICATION : SCANIA





COUPE A-A



TYPE NON VENTILE / NO VENTILATED

APPLICATION : SCANIA

